



Venmar AVS E15 HRV

Part no. 43135

65 to 155 CFM (0.4 in. w.g.)



VB0211

THE LAST ARRIVAL IN OUR NEW E SERIES

This new model is designed to provide a superior heat recovery, meeting the highest requirements of energy-efficient home programs. By getting more points from it's category in the builder option packages*, it represents a cost-effective solution for efficient home contractors.

The E15 HRV offers all the basic features for the new construction market, such as integrated balancing dampers and a defrosting system without negative pressure. Moreover, all aspects of its design were thought to ease balancing of air flow and simplify installation; it also offers easy access to electronic components. This unit does not only improve the indoor air quality, it also lowers the customer's energy bills while bringing added value to the contractor.

*Applies to certain energy-efficient building programs.

- Features pressure taps, balancing dampers and port straps to simplify installation
- Easy to access electronic module
- Homeshield™ defrosting system (no negative pressure)
- Heat recovery core offers greater comfort
- Designed with 2 PSC high-pressure blowers
- Integrated draining system
- ENERGY STAR® qualified

REPAIRS AND MAINTENANCE

The E15 HRV's low power consumption PSC motors are permanently lubricated. The electronic circuit board eliminates electromechanical parts, reducing repair time to a minimum.

WARRANTY

The E15 HRV is protected by a 5-year warranty on parts only, except for the heat recovery core, which is covered by a limited lifetime warranty, with the original proof of purchase.

Available at:



HEAT RECOVERY VENTILATOR

Controls

- This unit is very simple to operate. Once it is installed, press on its push button, located under the unit, to activate it. Press once for low speed, once again for high speed, and once more to stop it.
- The following main controls are also available:
 - Altitude programmable digital control with SMART mode no. 40440
 - Deco-Touch digital control no. 40395
 - Lite-Touch Constructo no. 40370
 - Constructo no. 40350
- Also, the following auxiliary wall controls can be added:
 - 20/40/60-min. push button no. 03364
 - 60-min. Mechanical timer no. 00910
 - Dehumidistat no. 11297

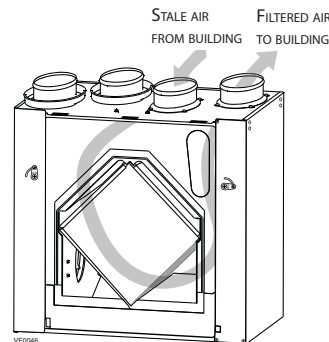
For more details about controls, refer to their specification sheet on www.venmar.ca.

Options

- Complete line of registers and diffusers
- Electric duct heater

Homeshield™ Defrosting System

The E15 HRV uses a unique defrosting method. No negative pressure is created by air exhausted to the outside, as the air is recirculated into the house, helping to prevent any backdraft.



OUTSIDE TEMPERATURE		DEFROST CYCLE MIN./ OPERATING MIN.
°C	°F	
WARMER THAN -5	WARMER THAN 23	No DEFROST
-5 TO -15	23 TO 5	5/40
-15 TO -27	5 TO -17	5/25
-27 AND LESS	-17 AND LESS	8/22

Heat Recovery Core

Dimensions: 10" x 10" x 14.25" (25.4 cm x 25.4 cm x 36.2 cm)

Exchange surface: 100 ft.² (9.3 m²)

Weight: 7.26 lb. (3.3 kg)

Material: Polypropylene

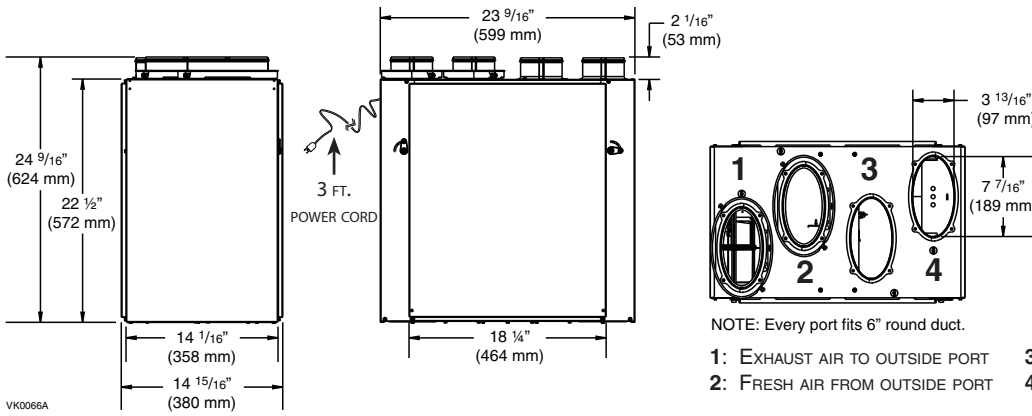
Type: Cross flow

Warranty: Limited lifetime

Requirements and standards

- Complies with the UL 1812 requirements regulating the installation of Heat Recovery Ventilators
- Complies with the CSA C22.2 no. 113 Standard applicable to ventilators
- Complies with CSA C444 requirements regulating the installation of Heat Recovery Ventilators
- Technical data was obtained from published results of tests relating to CSA C439 Standards
- HVI certified and ENERGY STAR® qualified

DIMENSIONS: E15 HRV



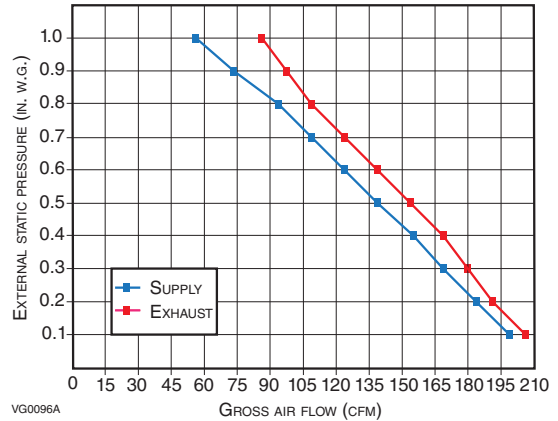
NOTE: ALL UNITS PORTS WERE CREATED TO BE CONNECTED TO DUCTS HAVING A MINIMUM OF 6" DIAMETER, BUT IF NEED BE, THEY CAN BE CONNECTED TO BIGGER SIZED DUCTS BY USING AN APPROPRIATE TRANSITION (E.G.: 6" DIAMETER TO 7" DIAMETER TRANSITION).

NOTE: Every port fits 6" round duct.

- 1: EXHAUST AIR TO OUTSIDE PORT
- 2: FRESH AIR FROM OUTSIDE PORT
- 3: EXHAUST AIR FROM BUILDING PORT
- 4: FRESH AIR TO BUILDING PORT

VENTILATION PERFORMANCE

EXTERNAL STATIC PRESSURE		NET SUPPLY AIR FLOW			GROSS AIR FLOW					
					SUPPLY			EXHAUST		
PA	IN. W.G.	L/S	CFM	M ³ /H	L/S	CFM	M ³ /H	L/S	CFM	M ³ /H
25	0.1	93	198	336	94	199	338	96	204	347
50	0.2	86	183	311	87	184	313	91	192	326
75	0.3	80	169	287	80	170	289	85	180	306
100	0.4	73	155	263	73	156	265	79	167	284
125	0.5	66	139	236	66	140	238	73	154	262
150	0.6	59	124	211	59	124	211	66	139	236
175	0.7	51	107	182	51	108	183	59	125	212
200	0.8	43	91	155	43	92	156	52	110	187
225	0.9	34	73	124	35	74	126	46	97	165
250	1.0	26	54	92	26	55	93	39	83	141



ENERGY PERFORMANCE

SUPPLY TEMPERATURE		NET AIR FLOW			POWER CONSUMED	SENSIBLE RECOVERY	APPARENT SENSIBLE	LATENT RECOVERY/
°C	°F	L/S	CFM	M ³ /H	WATTS	EFFICIENCY	EFFECTIVENESS	MOISTURE TRANSFER
HEATING								
0	32	31	65	110	54	75	83	0
0	32	40	84	143	66	73	80	0
0	32	55	116	197	90	69	76	0
-25	-13	30	64	109	72	73	84	0.05

NOTE: All specifications are subject to change without notice.

SPECIFICATIONS

- Model: E15 HRV
- Part Number: 43135
- Total Assembled Weight (including polypropylene core): 52 lb. (23.6 kg)
- Oval shaped ports; fit 6" round ducts
- Drain: 1/2" (1.2 cm) integrated fittings with 10 ft. (3 m) PVC drain hose
- Core Filters: 2 washable Merv 7 filters, 9.2" x 14.25" x 0.38" (23.4 cm x 36.2 cm x 1 cm)
- Housing: Pre-painted steel
- Insulation: Expanded polystyrene
- Mounting: Suspension by chains and springs
- Supply and Exhaust Blower Motors: 2 PSC motors
 - Protection type: Thermally protected
 - Insulation class: F
- Heat Recovery Core:
 - Heat Exchange Surface Area: 100 ft.² (9.3 m²)
 - Type/Material: Crossflow/Polypropylene
- Speed Control on Unit:
 - Low speed and high speed
 - Other modes available with Altitude, Deco-Touch or Lite-Touch Constructo main controls
- Unit Electrical Characteristics:

Volts	Frequency	Ampere	Watts
120	60 Hz	1.0	125

Project:	REMARKS
Location:	
Part no.:	
Qty.:	
Submitted by: _____ Date: _____	



Residential Products Group, 550 Lemire Blvd., Drummondville, Qc, Canada J2C 7W9 - Tel.: 1-800-567-3855 Fax: 1-800-567-1715



www.venmar.ca

AVSE15HRVd140417